

TECHNICAL DATA/SPECIFICATION

MODEL: SRE-2010 ELITE

RATED LOAD: 400 LBS, ONE PASSENGER

POWER SOURCE: 24 VOLT DC COMPRISED OF (2) 7 AMP/HR
12 VOLT SEALED BATTERIES
100-240 VOLT AC 1.5 AMP, 24 VOLT DC 2 AMP
CONTINUOUS MONITORING CHARGER.

DRIVE: 24 VOLT DC DIRECT DRIVE GEAR-MOTOR, 2 POLE
RATED .68 HP, 58:1 RIGHT ANGLE SELF LOCKING
GEARBOX, 41.5 RPM NO LOAD RPM OUTPUT SPEED.

SUSPENSION: RACK & PINION - INTEGRATED 8DP GEAR RACK
ON RAIL WITH A SPUR GEAR ON THE OUTPUT
SHAFT OF THE GEAR BOX.

BRAKING: DYNAMIC MOTOR BRAKING THROUGH THE MOTOR
CONTROLLER, SELF LOCKING WORM GEAR, AND
ELECTRO-MECHANICAL MOTOR BRAKE.

CONTROLS: CONTINUOUS PRESSURE ROCKER SWITCH LOCATED
ON THE ARM REST AND WALL MOUNTED CALL/SEND
CONTROLS LOCATED AT BOTH THE TOP AND BOTTOM
LANDINGS.

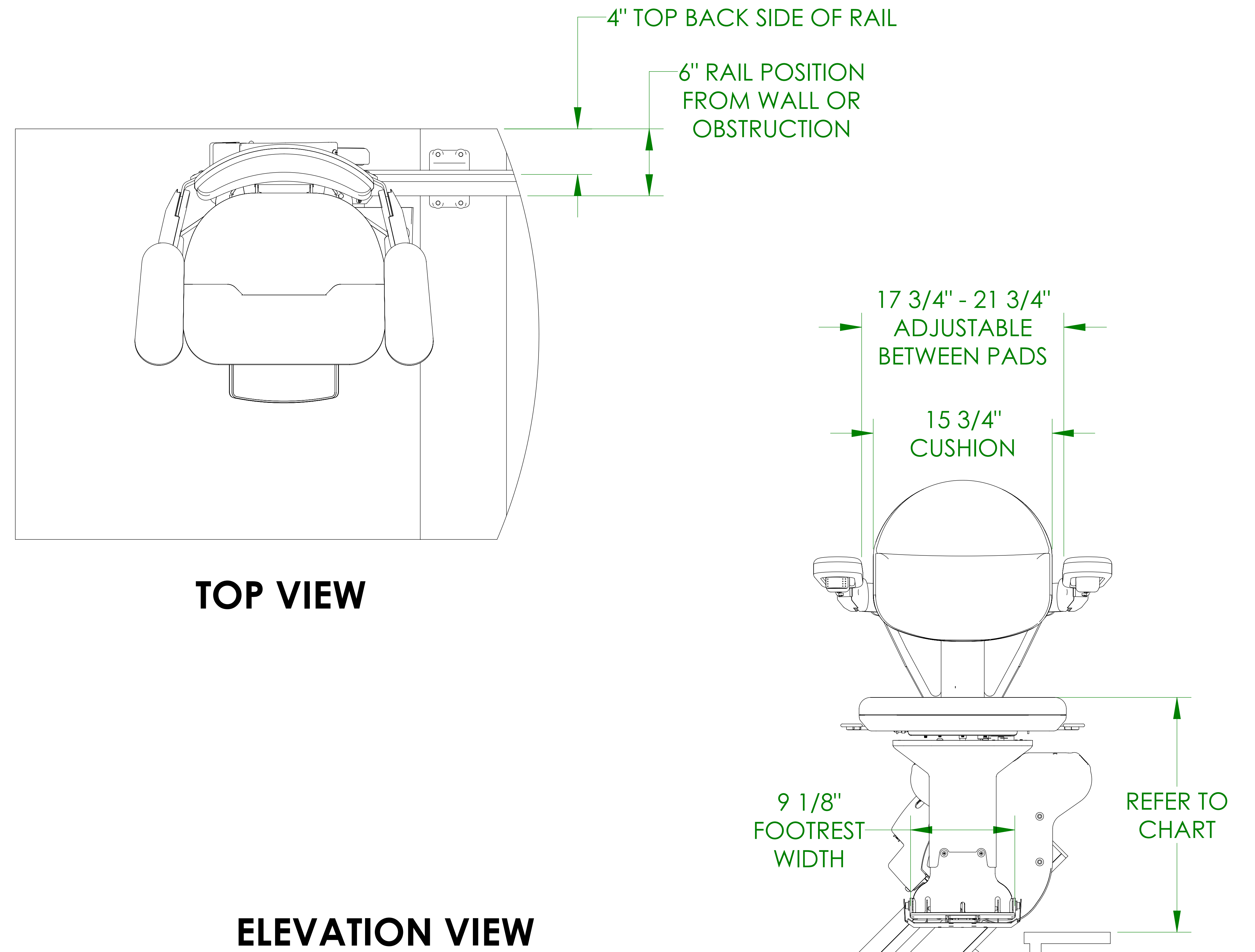
ANGLES: 0 TO 45 DEGREES (SPECIALS UP TO 50 DEGREES) RIGHT
OR LEFT HAND ORIENTATIONS.

KEYED CONTROL ON CARRIAGE

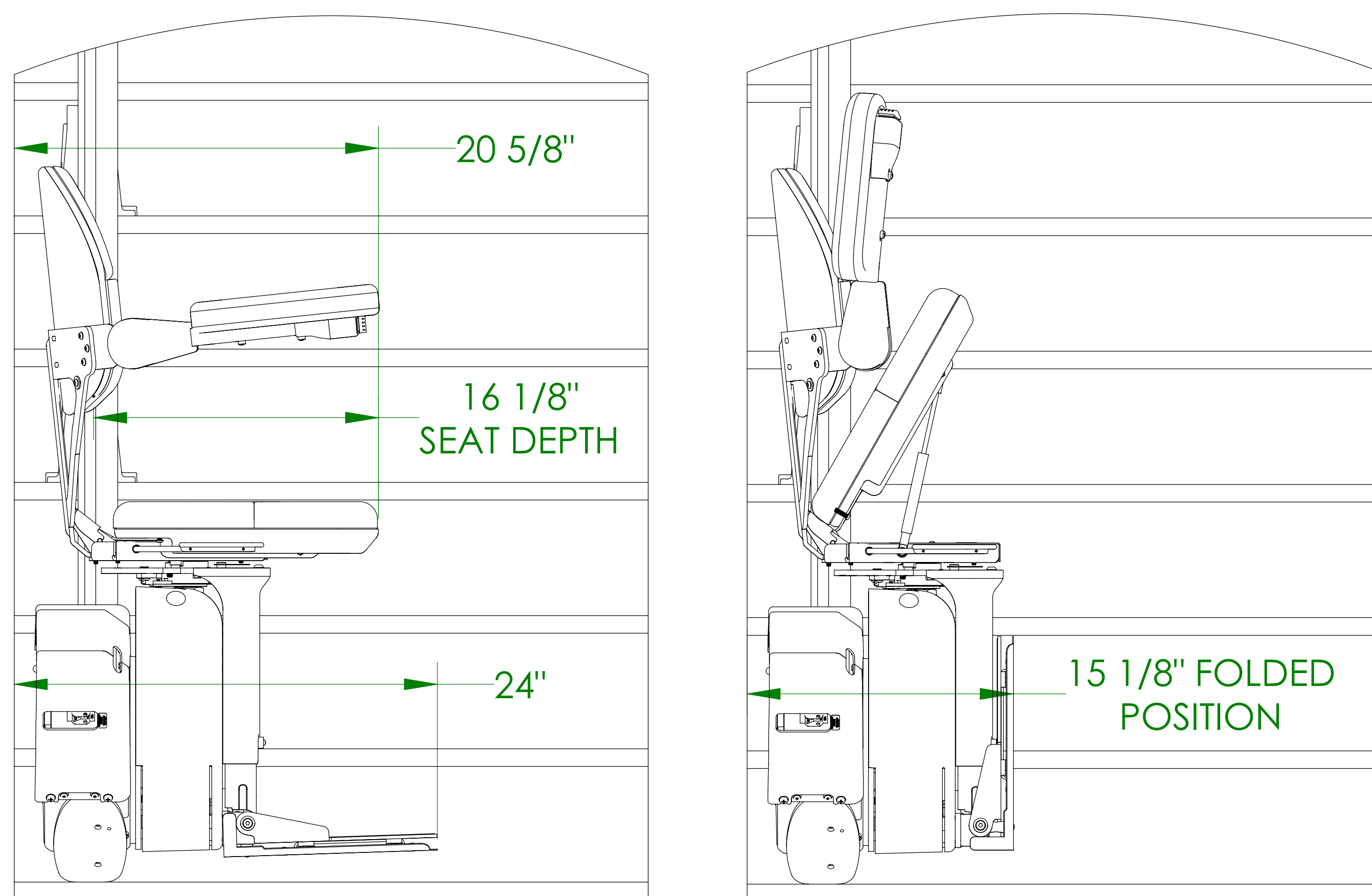
FINAL LIMIT SWITCH STANDARD

OPTIONS:

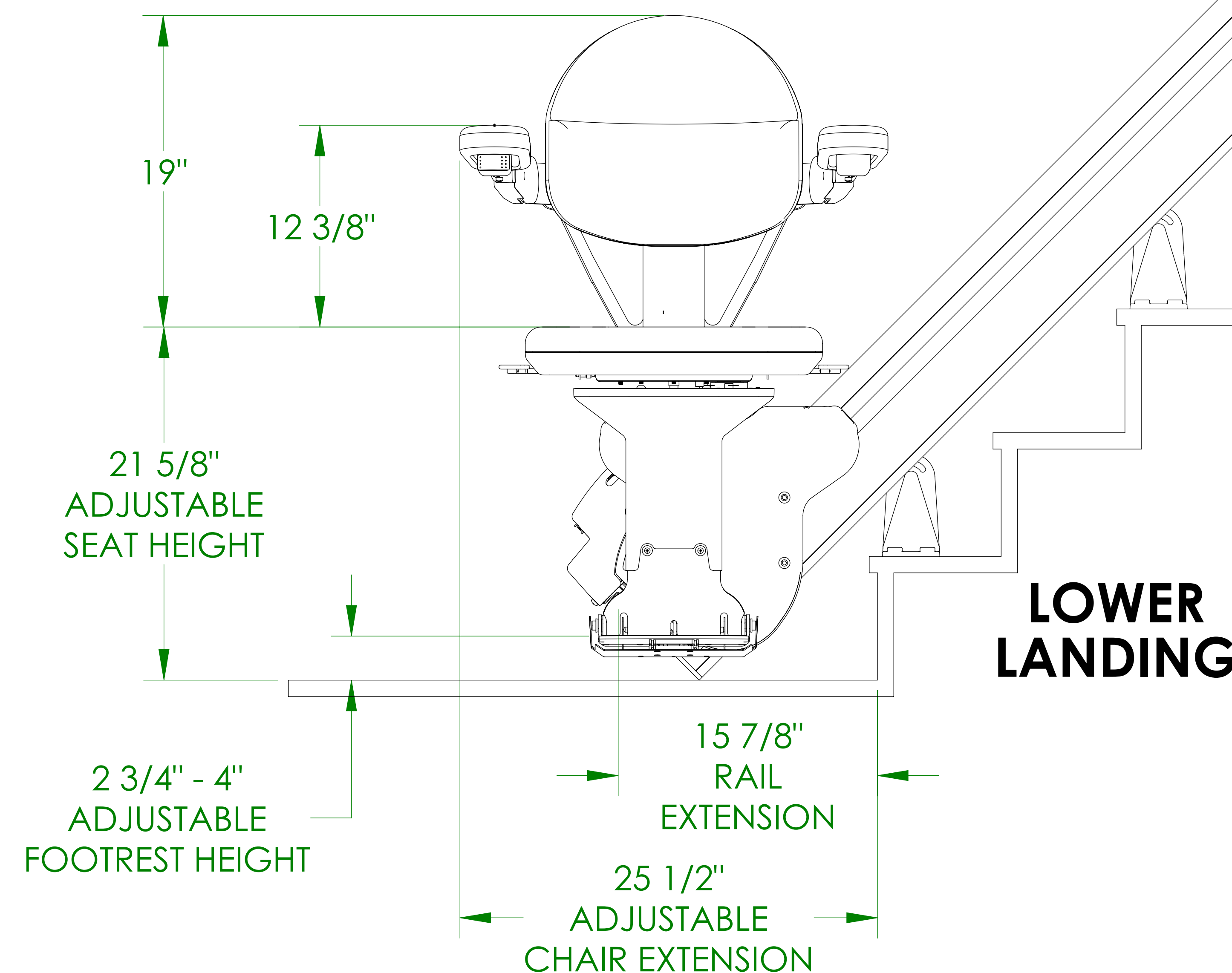
- 1) KEYED CALL/SEND CONTROLS,
- 2) COMMERCIAL PACKAGE W/OVERSPEED SAFETY BRAKE.



LOWER LANDING EXTENSION DIMENSIONS ARE
BASED ON 45 DEGREE RAIL SLOPE ON AN
8" 1ST RISER HEIGHT, DIMENSIONS WILL VARY
BASED ON SLOPE AND RISER HEIGHT.

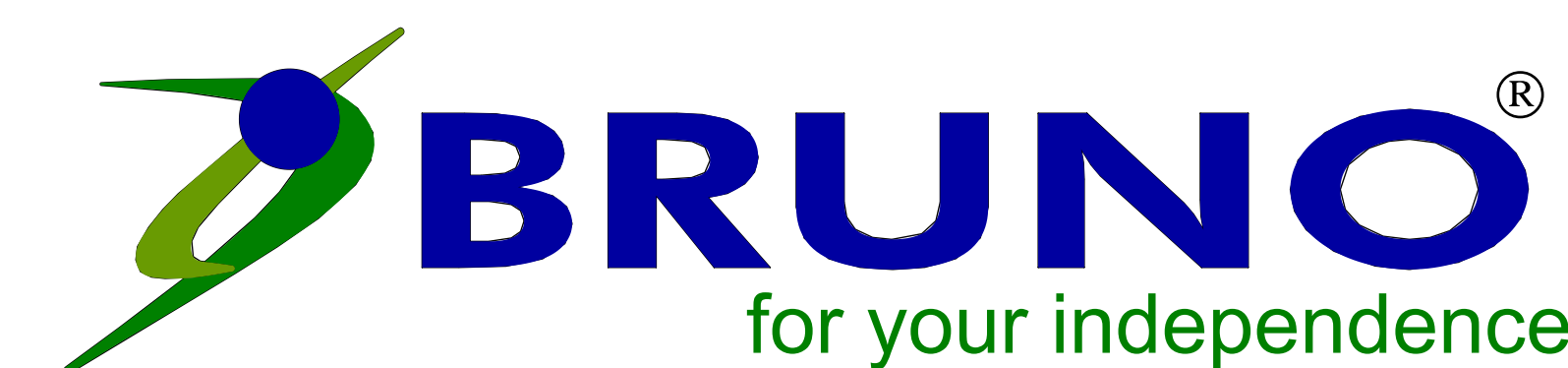


SIDE VIEWS



LOWER LANDING

1780 Executive Drive
Oconomowoc, WI 53066
Tel 800-882-8181
Fax 262-953-5501
www.bruno.com

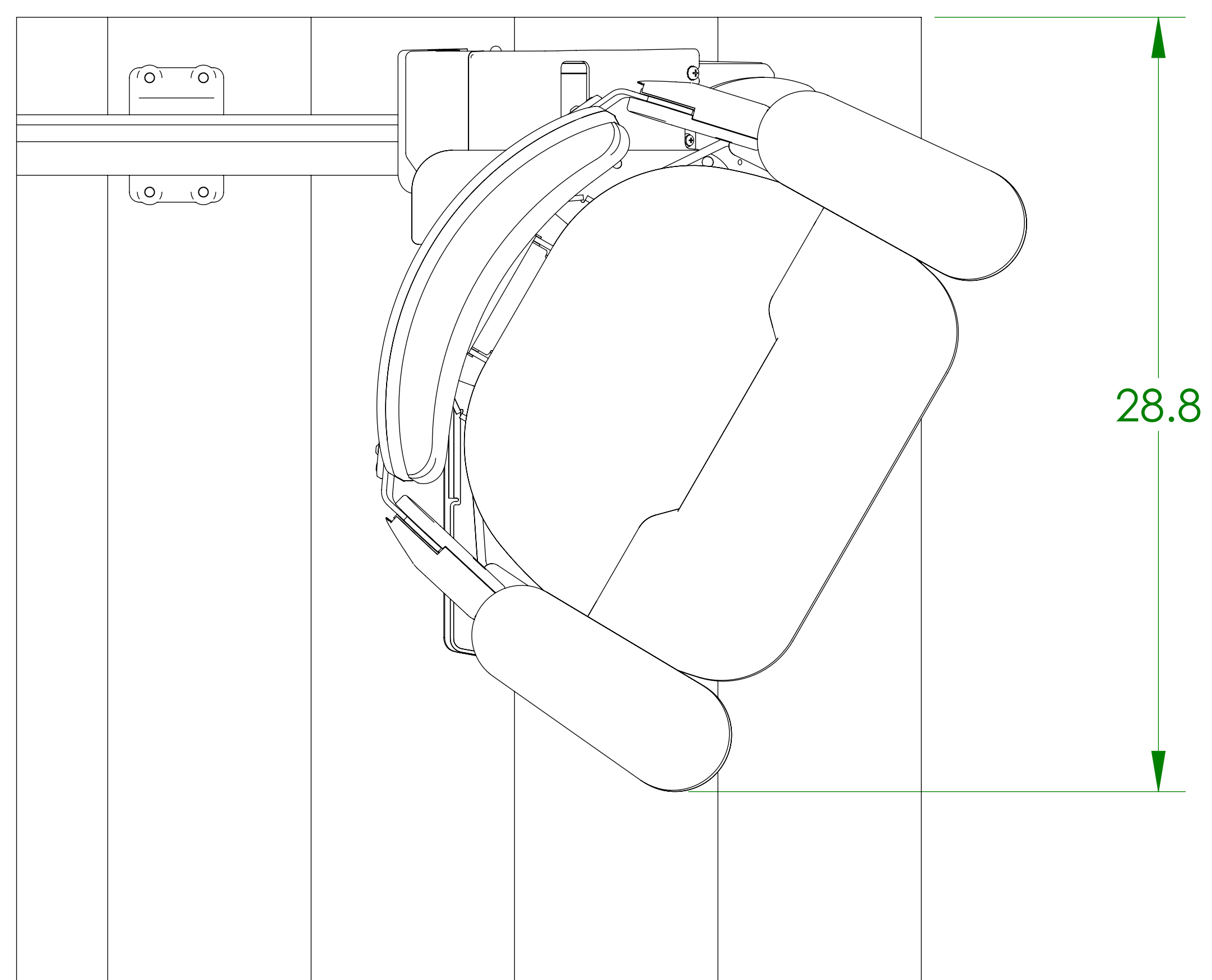


©Bruno Independent Living Aids, Inc.

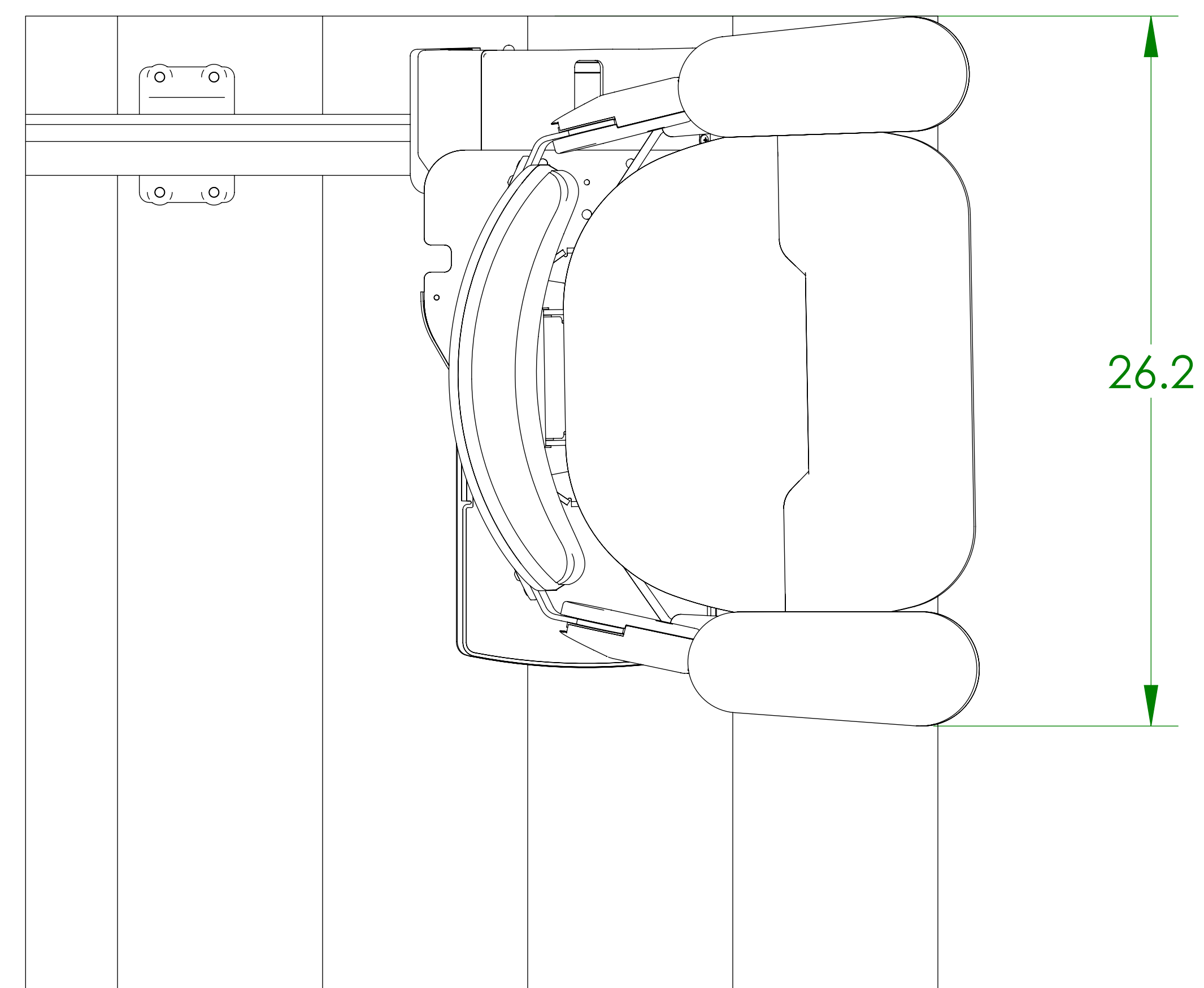
ILS-01343
SHEET 1 OF 3
REV. 1 (6456)(9/01/17)(BHM)

SRE-2010

DISTANCE FROM WALL - SEAT SWIVELED



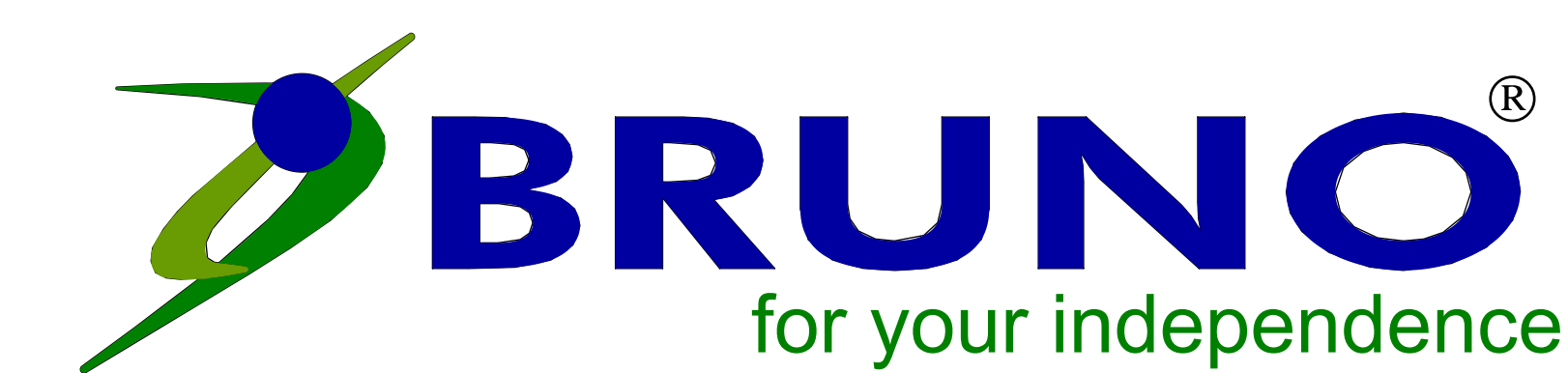
SEAT SWIVELED 60°



SEAT SWIVELED 90°

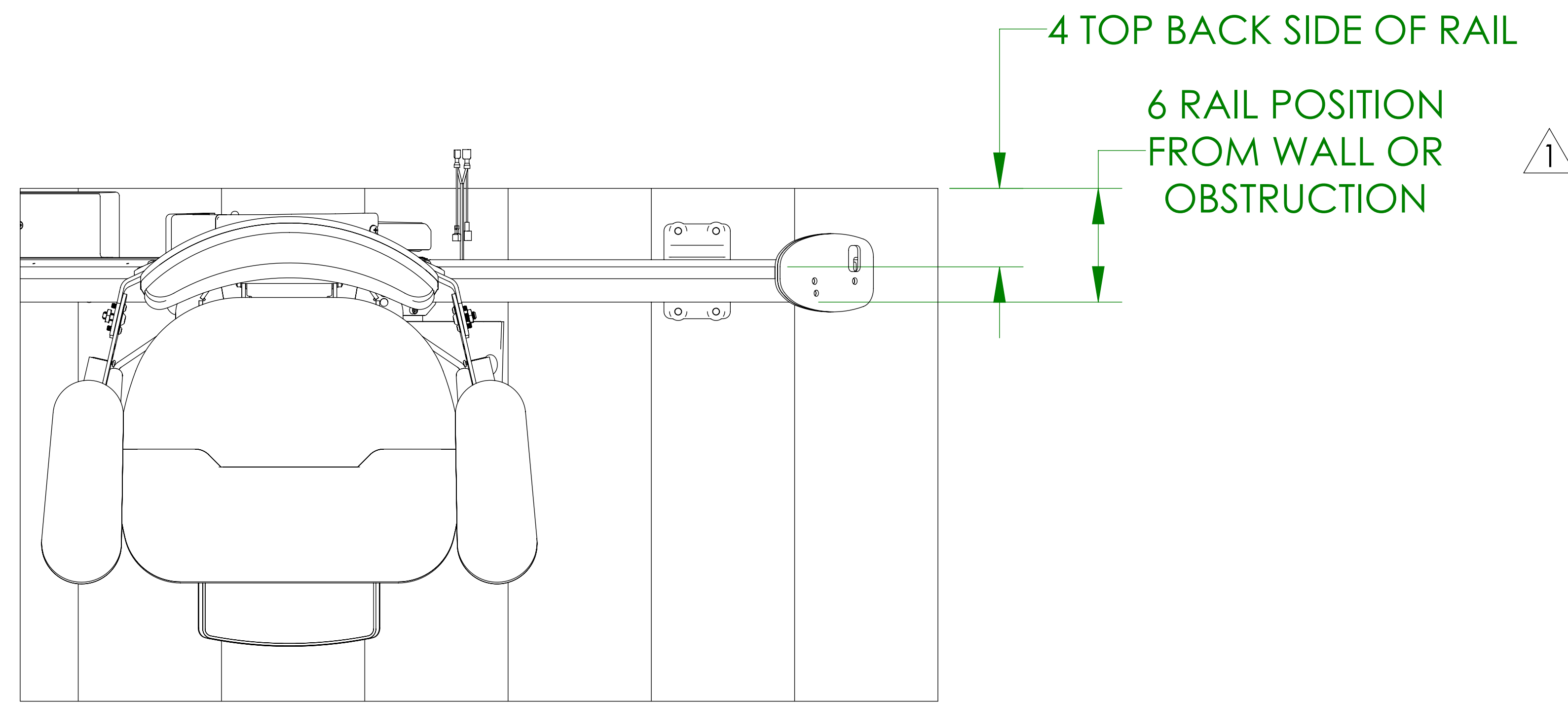
1780 Executive Drive
Oconomowoc, WI 53066
Tel 800-882-8181
Fax 262-953-5501
www.bruno.com

ILS-01343
SHEET 2 OF 3
REV. 1 (6456)(9/01/17)(BHM)



©Bruno Independent Living Aids, Inc.

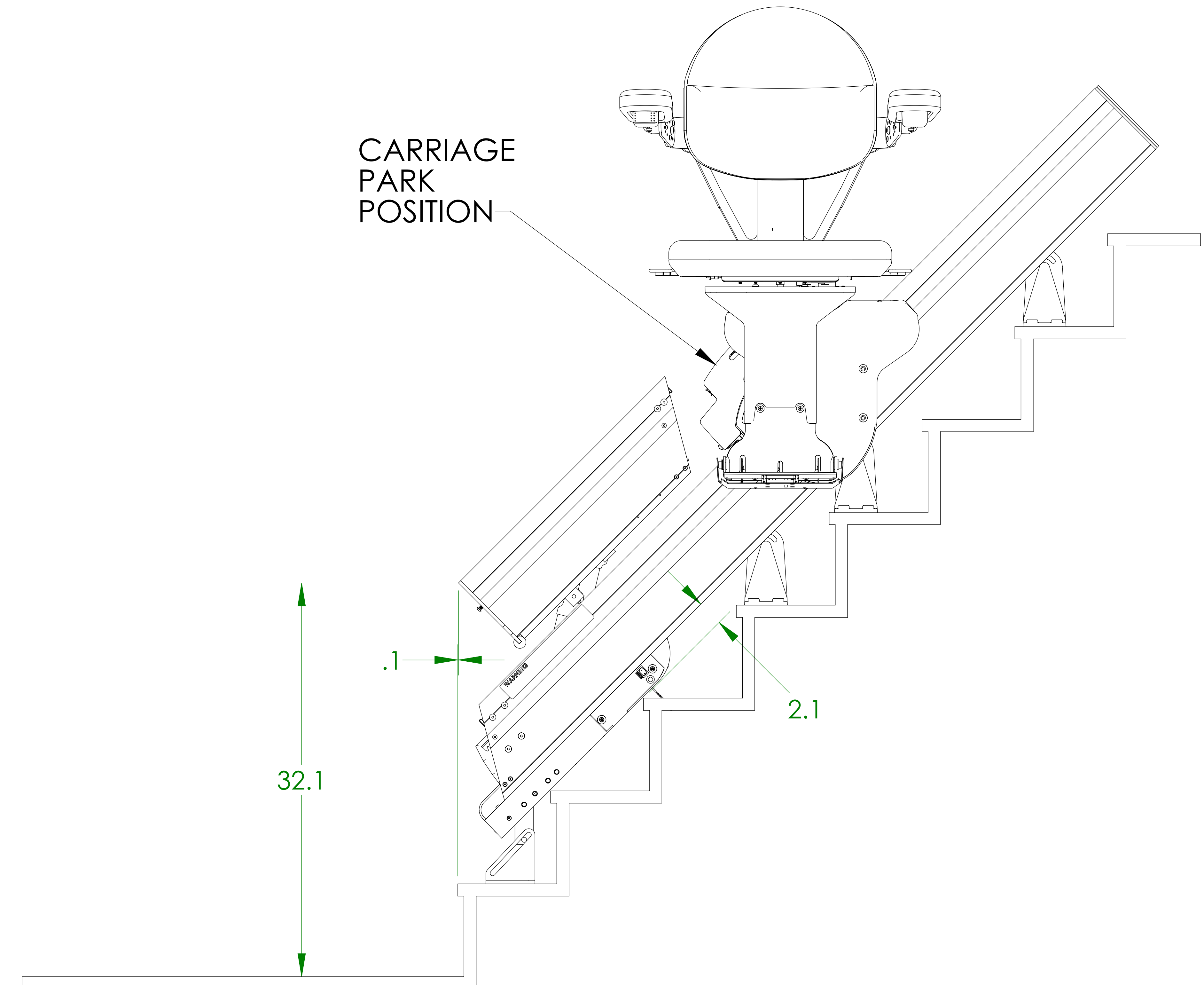
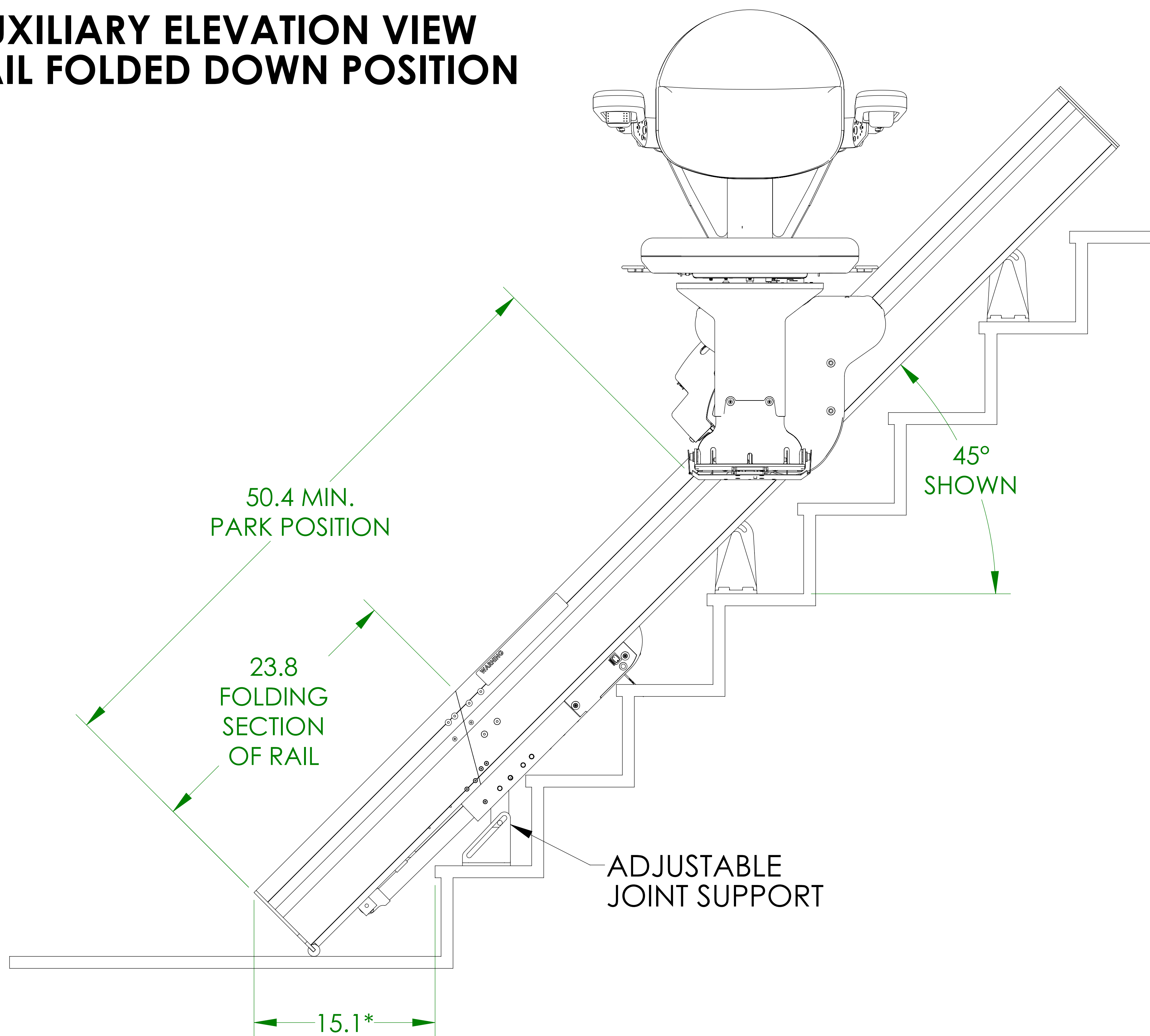
FOLDING RAIL



TOP VIEW

AUXILIARY ELEVATION VIEW
RAIL FOLDED UP POSITION

AUXILIARY ELEVATION VIEW
RAIL FOLDED DOWN POSITION



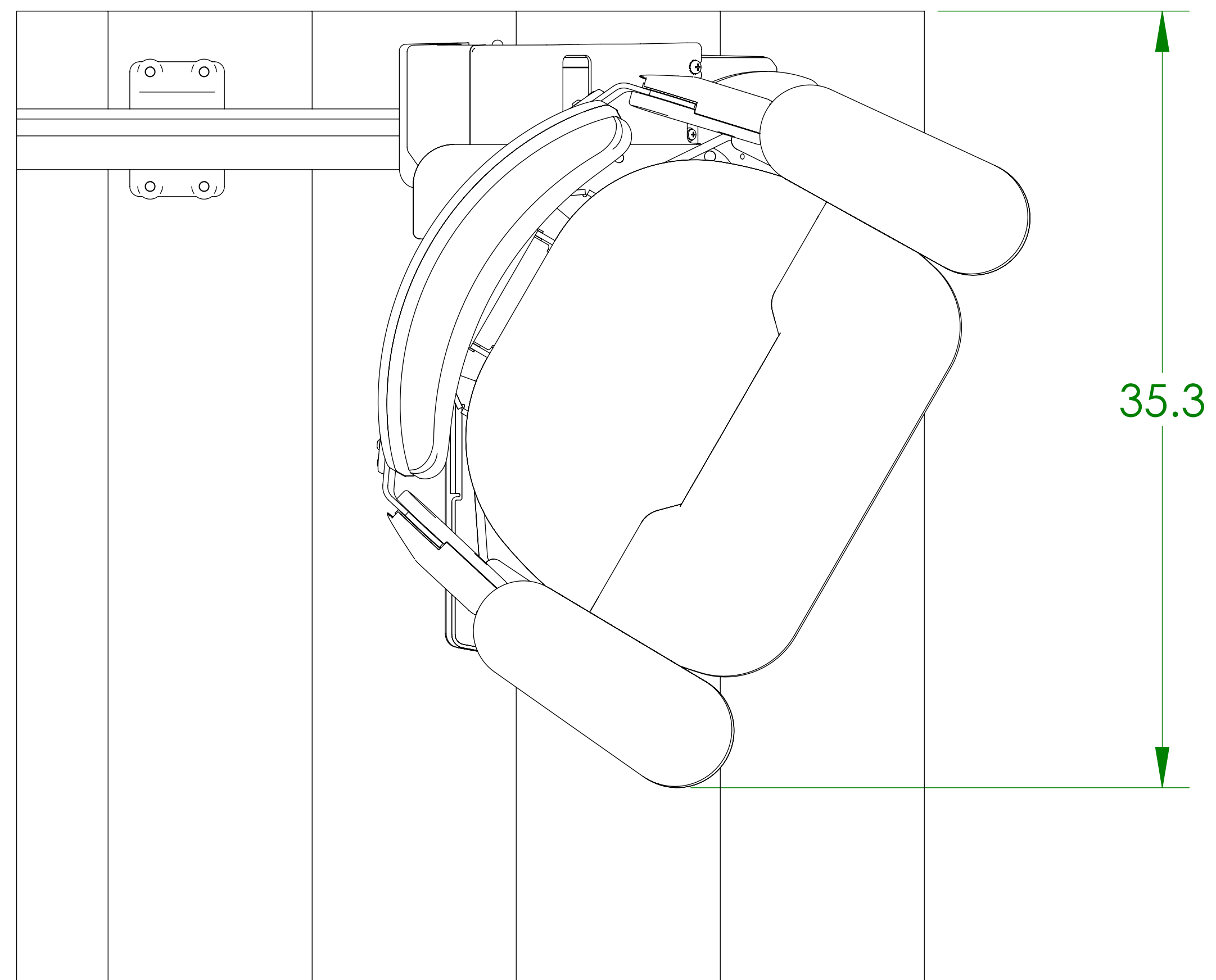
*LOWER LANDING EXTENSION DIMENSIONS ARE BASED ON 45° RAIL SLOPE AND 8" RISER HEIGHT. DIMENSIONS WILL VARY BASED ON SLOPE AND RISER HEIGHT.

1780 Executive Drive
Oconomowoc, WI 53066
Tel 800-882-8181
Fax 262-953-5501
www.bruno.com

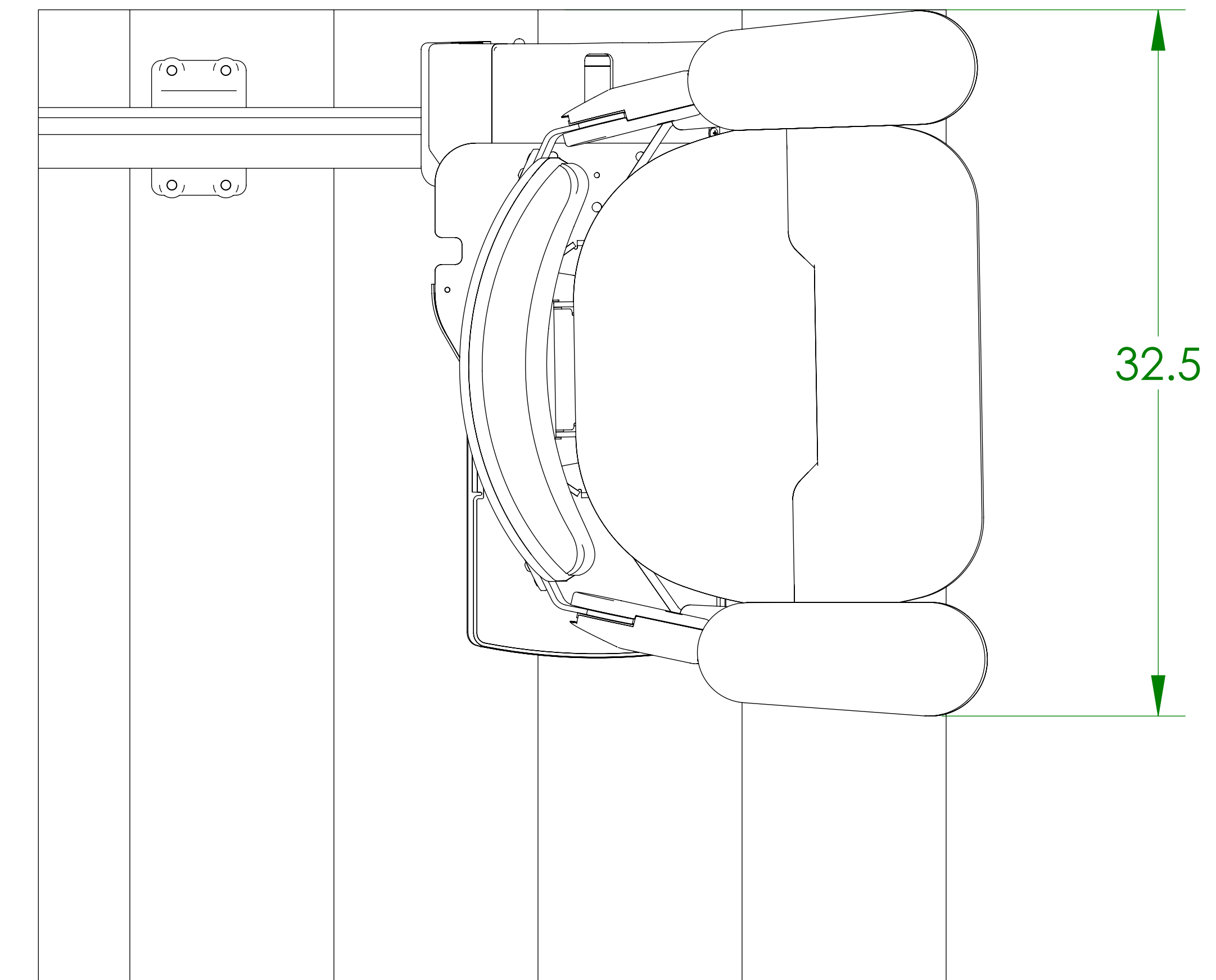
SRE-2010

DISTANCE FROM WALL - SEAT SWIVELED

XL Seat

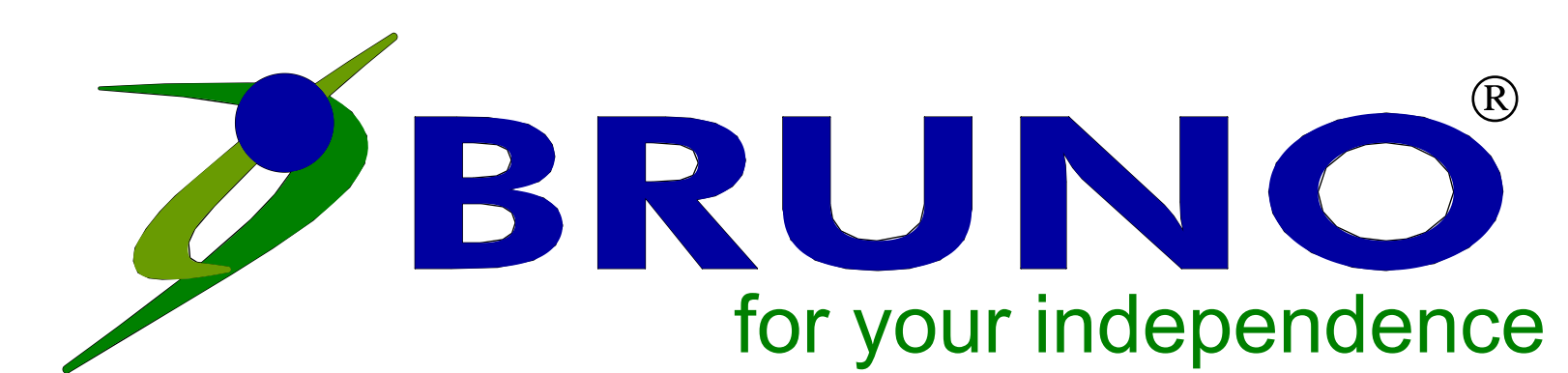


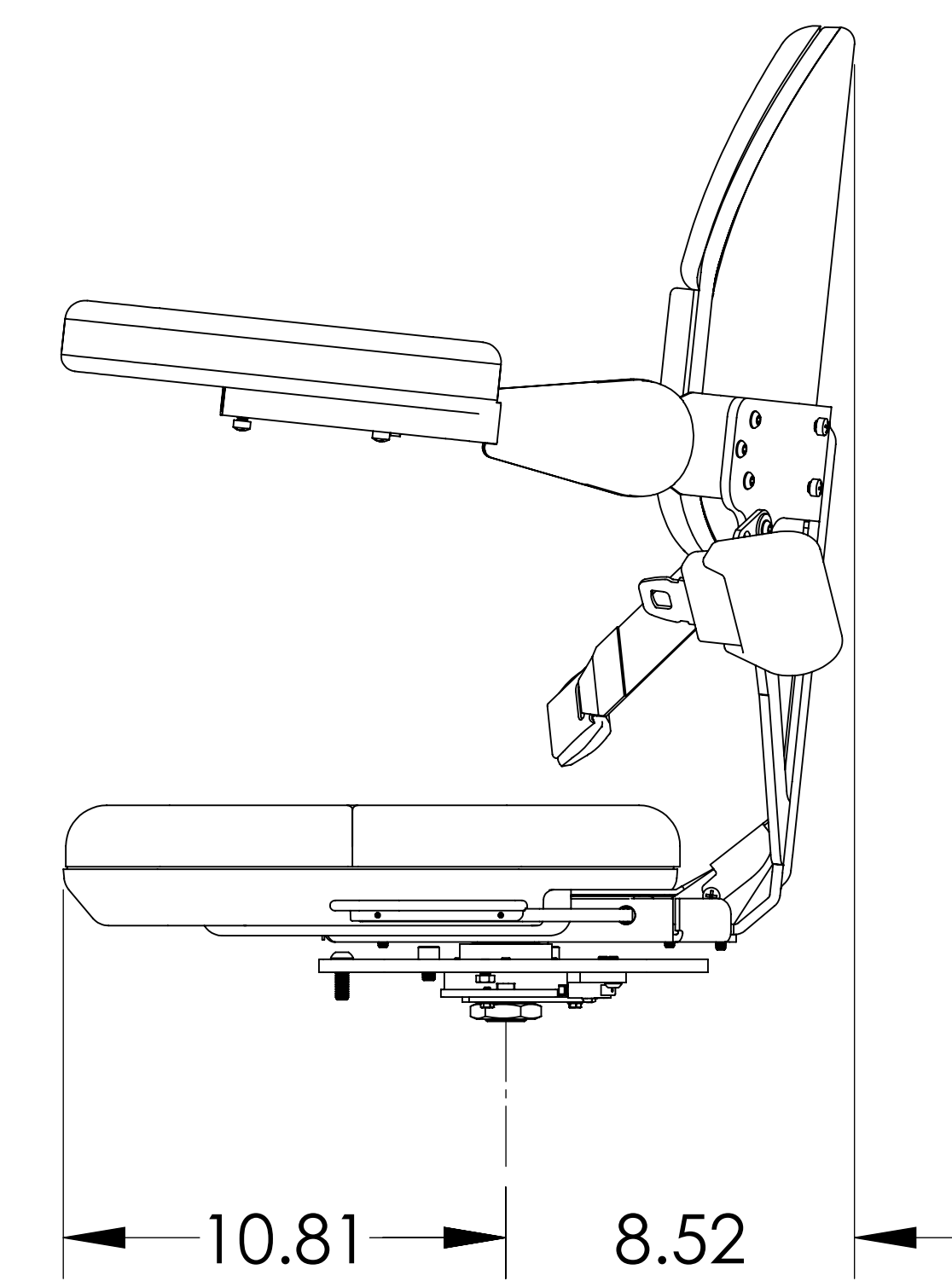
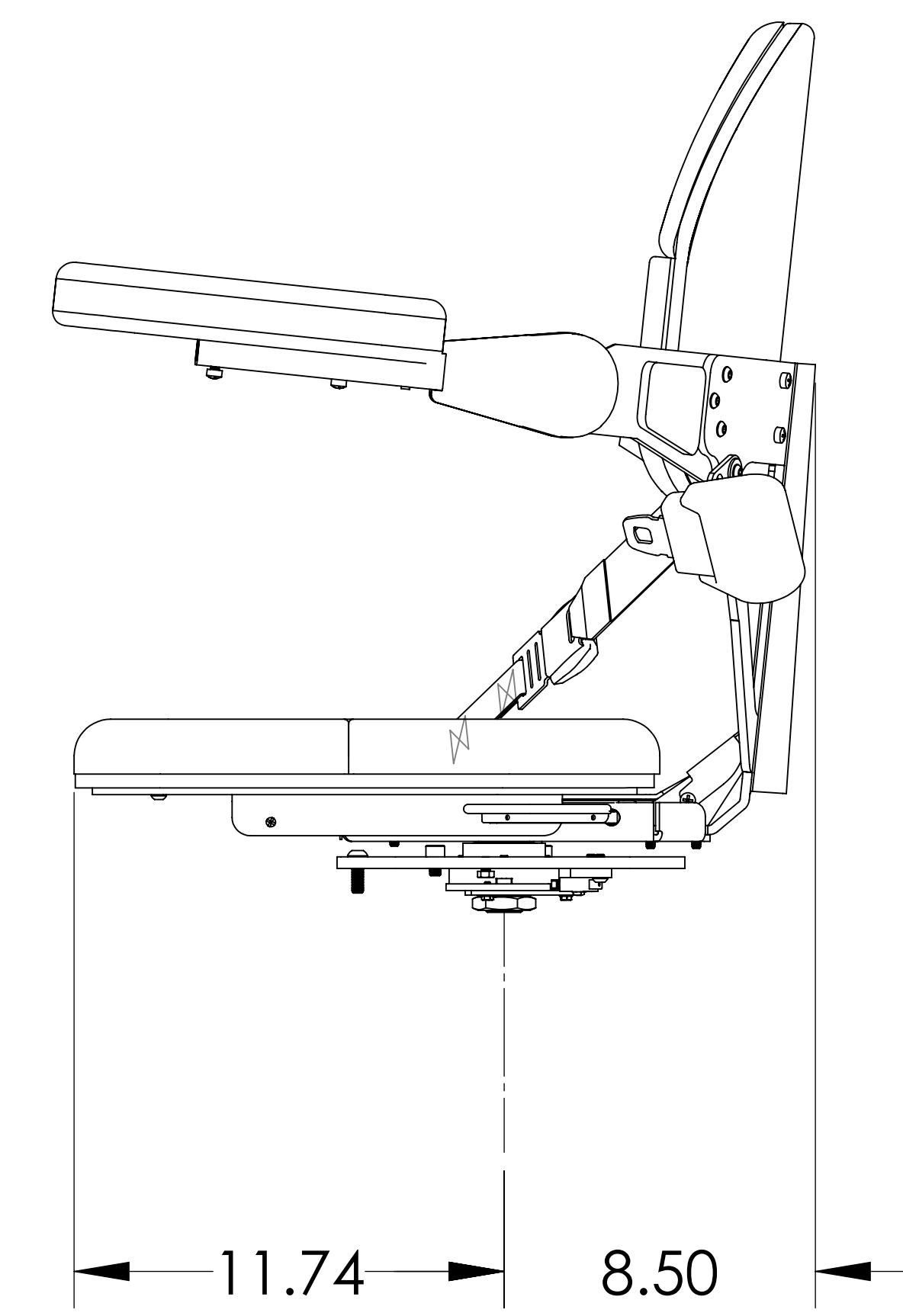
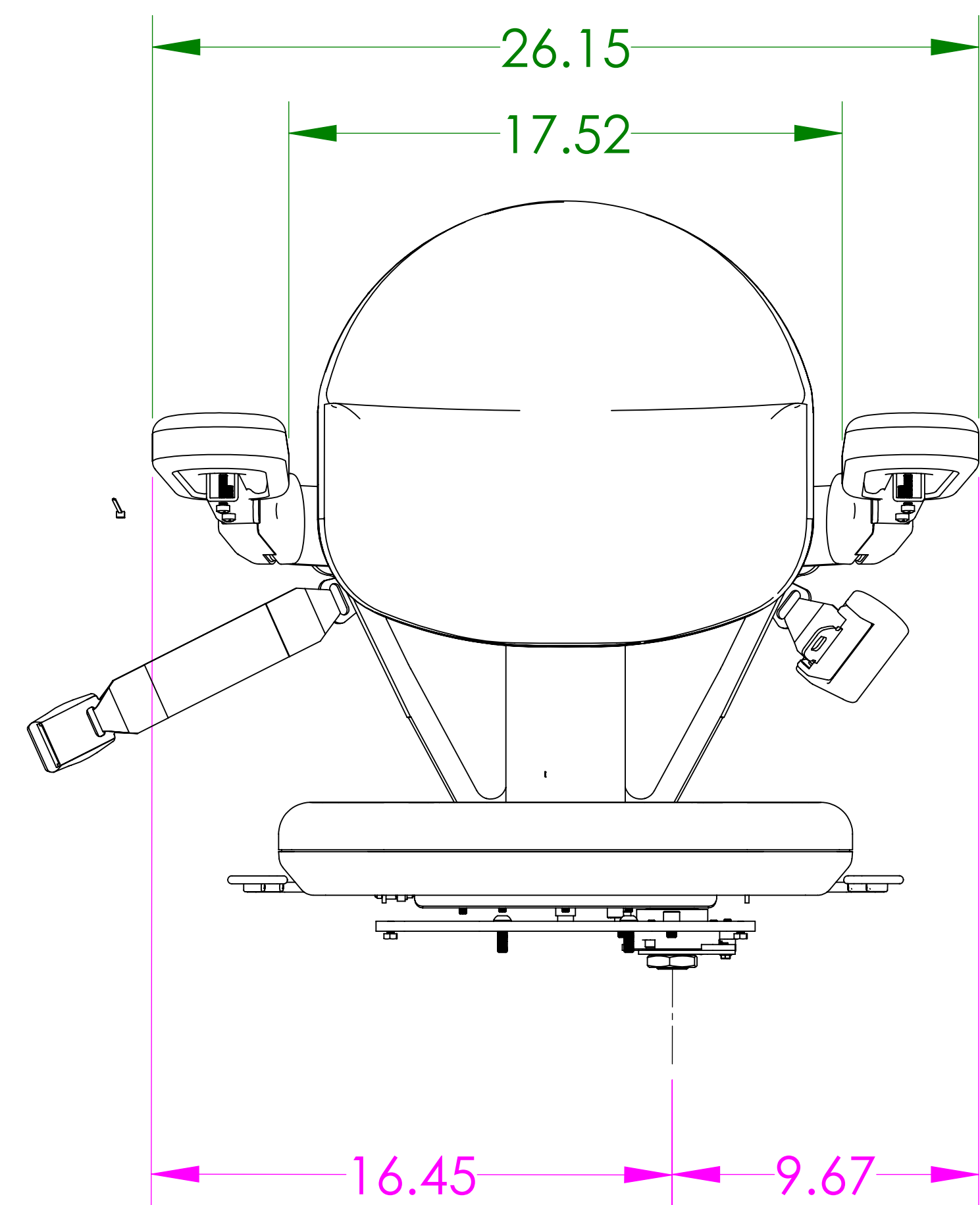
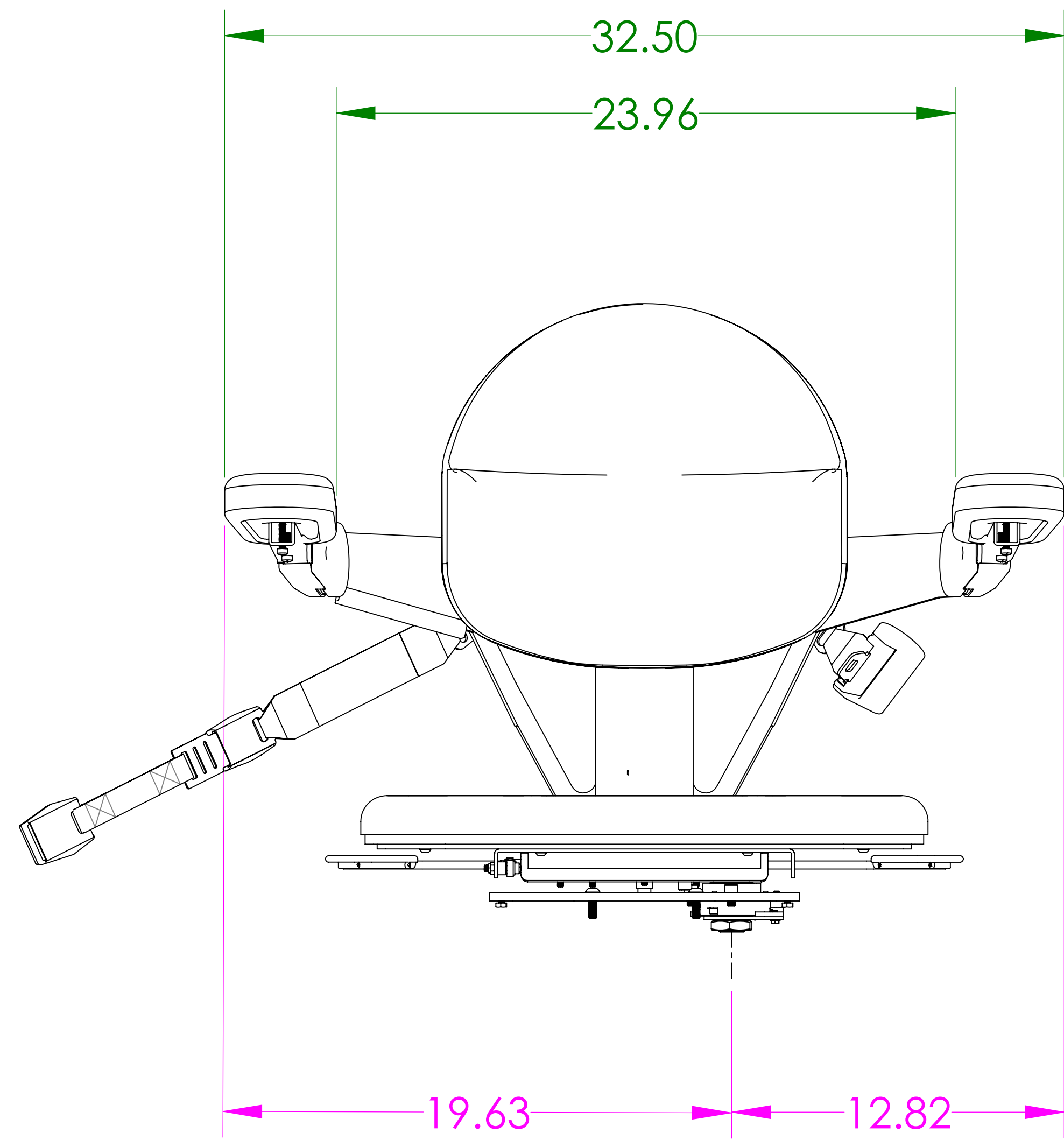
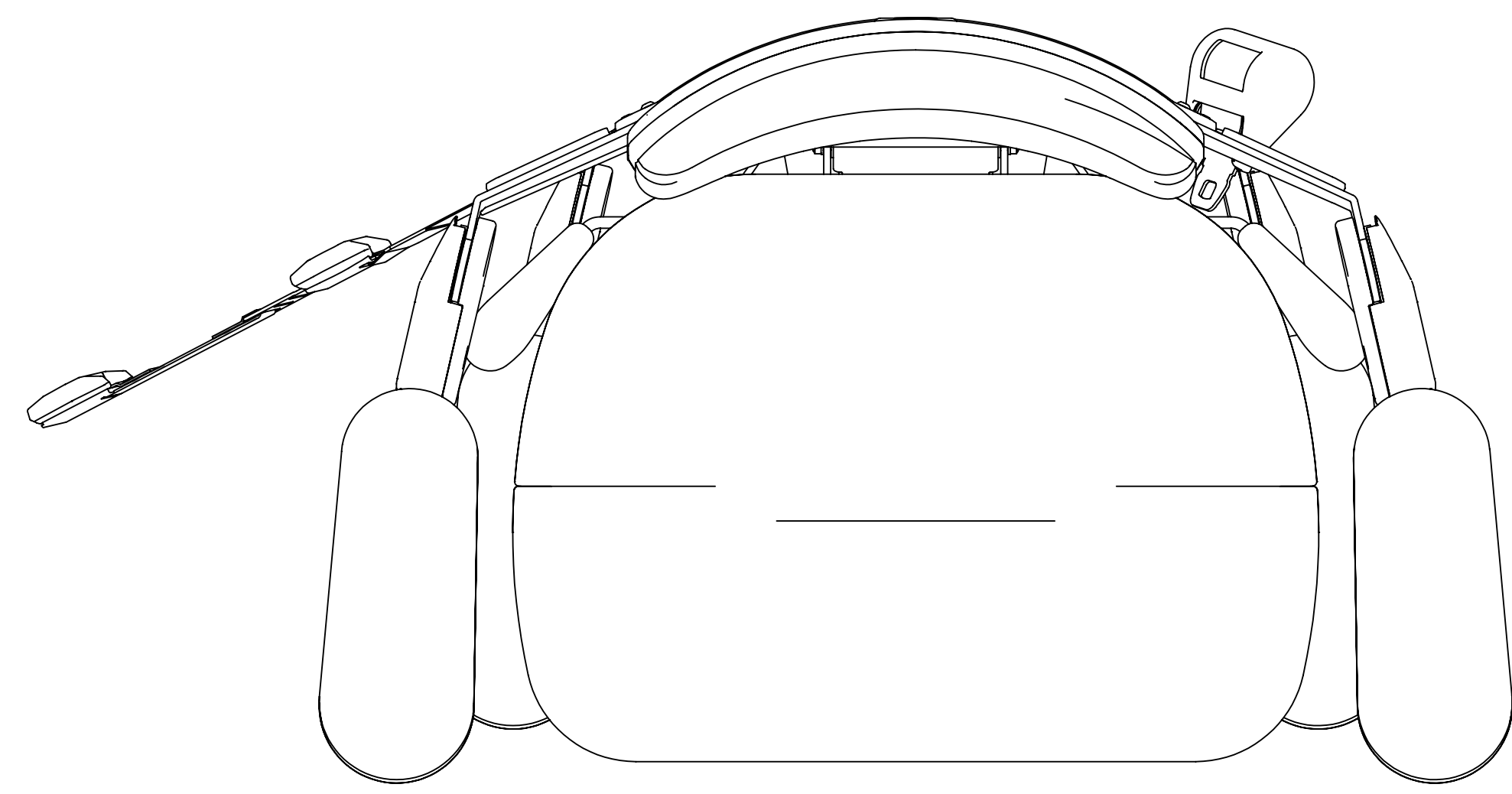
SEAT SWIVELED 60°




SEAT SWIVELED 90°

1780 Executive Drive
Oconomowoc, WI 53066
Tel 800-882-8181
Fax 262-953-5501
www.bruno.com





 BRUNO for your independence 1780 EXECUTIVE DRIVE OCONOMOWOC, WI 53066 USA (262) 567-4990 FAX (262) 953-5504	tolerances: .x ±.030 .xx ±.015 .xxx ±.005	used on:
	angles: ±.5°	
	part name XXXXX	
	material XXXXX	
drawn by XXX	scale 1:4	size
checked		drawing no.
Part must be free of welding scale and slag, sharp edges or corners, and burrs.		rev.

no.	e.c.n.	date	by
revisions			